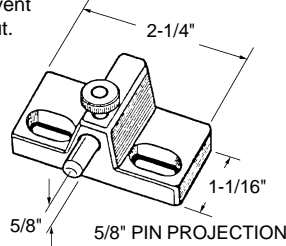


- Secures the sliding glass door in a locked or ventilating position.
- Helps prevent door lift-out.



**Sliding Glass Door Plunger Lock — Mitey Lok**

Part Number

**16-611**

Material: Die Cast with Steel Bolt

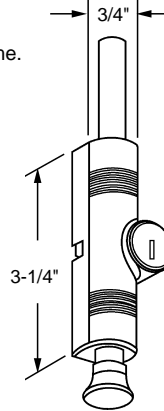
Finish: Aluminum

Unit: Each

Bulk: 25 Pcs.

Used By: Several Manufacturers

- For aluminum and wood doors, sliding or hinged outward or inward opening doors.
- Easy left hand or right hand installation.
- Concealed hardware for security.
- Steel bolt locks into frame.



**Sliding Glass Door Bolt**

Part Number

**16-659**

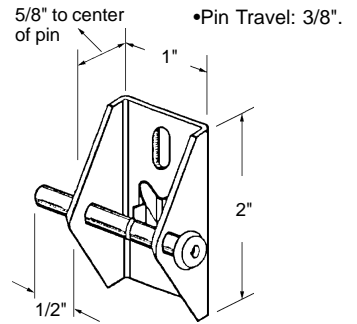
Material: Plastic/Steel

Finish: White

Unit: Each

Bulk: 5 Pcs.

Used By: Several Manufacturers



**Push/Pull Sliding Glass Door Lock**

Part Number

**16-617**

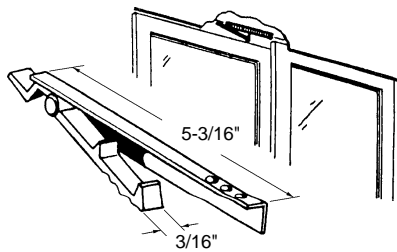
Material: Steel

Finish: Aluminum

Unit: Each

Bulk: 25 Pcs.

Used By: Several Manufacturers



**Narrow Leg Window Lock**

Part Number

**16-621**

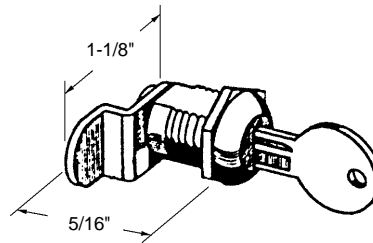
Material: Stamped Aluminum

Finish: Mill

Unit: Each

Bulk: 50 Pcs.

Used By: Several Manufacturers



**Mail Box Lock — Wafer Type**

Part Number

**16-641**

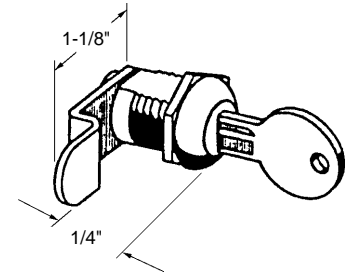
Material: Die Cast

Finish: Nickel & Zinc Plated

Unit: Each

Bulk: 15 Pcs.

Used By: Several Manufacturers



**Mail Box Lock — Wafer Type**

Part Number

**16-642**

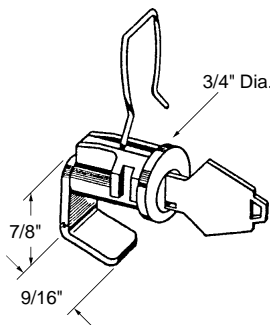
Material: Die Cast

Finish: Nickel & Zinc Plated

Unit: Each

Bulk: 15 Pcs.

Used By: Several Manufacturers



**Mail Box Lock**

Part Number

**16-632**

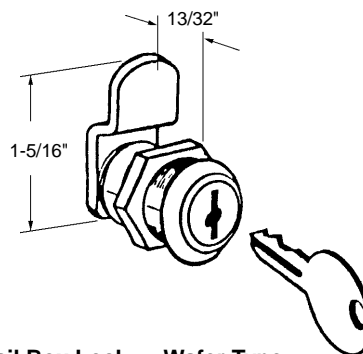
Material: Die Cast

Finish: Nickel & Zinc Plated

Unit: Each

Bulk: 15 Pcs.

Used By: Several Manufacturers



**Mail Box Lock — Wafer Type**

Part Number

**16-644**

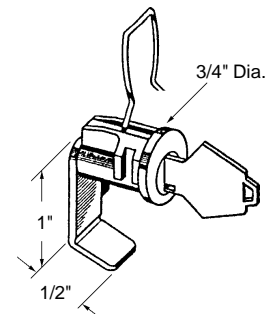
Material: Die Cast

Finish: Mill

Unit: Each

Bulk: 15 Pcs.

Used By: Several Manufacturers



**Mail Box Lock**

Part Number

**16-633**

Material: Die Cast

Finish: Mill

Unit: Each

Bulk: 15 Pcs.

Used By: Several Manufacturers