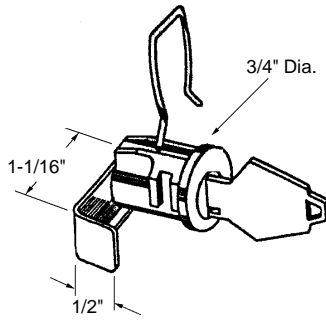


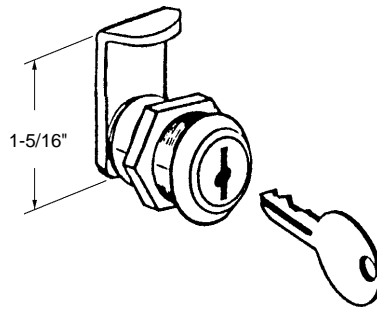
Mail Box Lock

Part Number
16-634
 Material: Die Cast
 Finish: Mill
 Unit: Each Bulk: 15 Pcs.
 Used By: Several Manufacturers



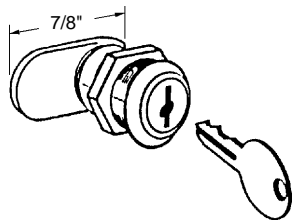
Mail Box Lock

Part Number
16-635
 Material: Die Cast
 Finish: Mill
 Unit: Each Bulk: 15 Pcs.
 Used By: Several Manufacturers



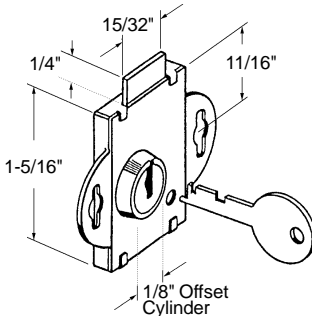
Mail Box Lock — Wafer Type

Part Number
16-645
 Material: Die Cast
 Finish: Mill
 Unit: Each Bulk: 15 Pcs.
 Manufactured By: Several Manufacturers



Mail Box Lock — Wafer Type

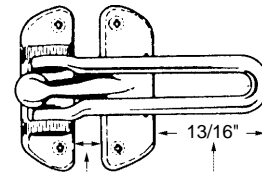
Part Number
16-643
 Material: Die Cast
 Finish: Mill
 Unit: Each Bulk: 15 Pcs.
 Used By: Several Manufacturers



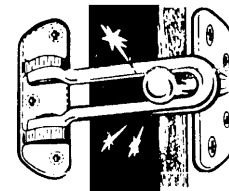
Mail Box Lock — Short Bolt

Part Number
16-629
 Material: Steel
 Finish: Brass Plated
 Unit: Each Bulk: 25 Pcs.
 Used By: Several Manufacturers

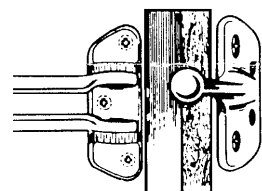
- Strong and outstanding appearance.
- Allows door open while resisting forced entry from outside intruders.
- Simple installation and operation.



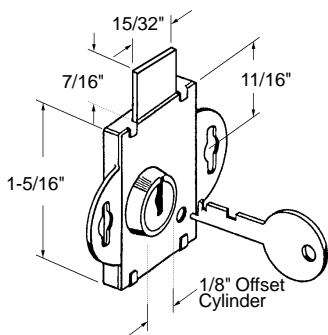
MOUNTING POSITION
 (with screws provided)



NOT POSSIBLE TO UNLOCK
 FROM OUTSIDE OF THE DOOR



VERY EASY TO UNLOCK
 FROM INSIDE OF THE DOOR



Mail Box Lock — Long Bolt

Part Number
16-630
 Material: Steel
 Finish: Brass Plated
 Unit: Each Bulk: 15 Pcs.
 Used By: Several Manufacturers

MAIL BOX LOCKS

5-pin tumbler locking units,
 as originally supplied by
 most mail box manufacturers,
 for maximum security.

For use on gang-type multiple
 mail boxes in apartments,
 commercial malls, office
 buildings, condominiums,
 mobile home parks, colleges,
 industrial parks, mail rooms
 and residential.

High Security Door Guard

Part Number
16-624
 Material: Die Cast Zinc Alloy
 Finish: Aluminum
 Unit: Each Bulk: 20 Pcs.
 Used By: Several Manufacturers