



# ALL GLASS PARTS INC

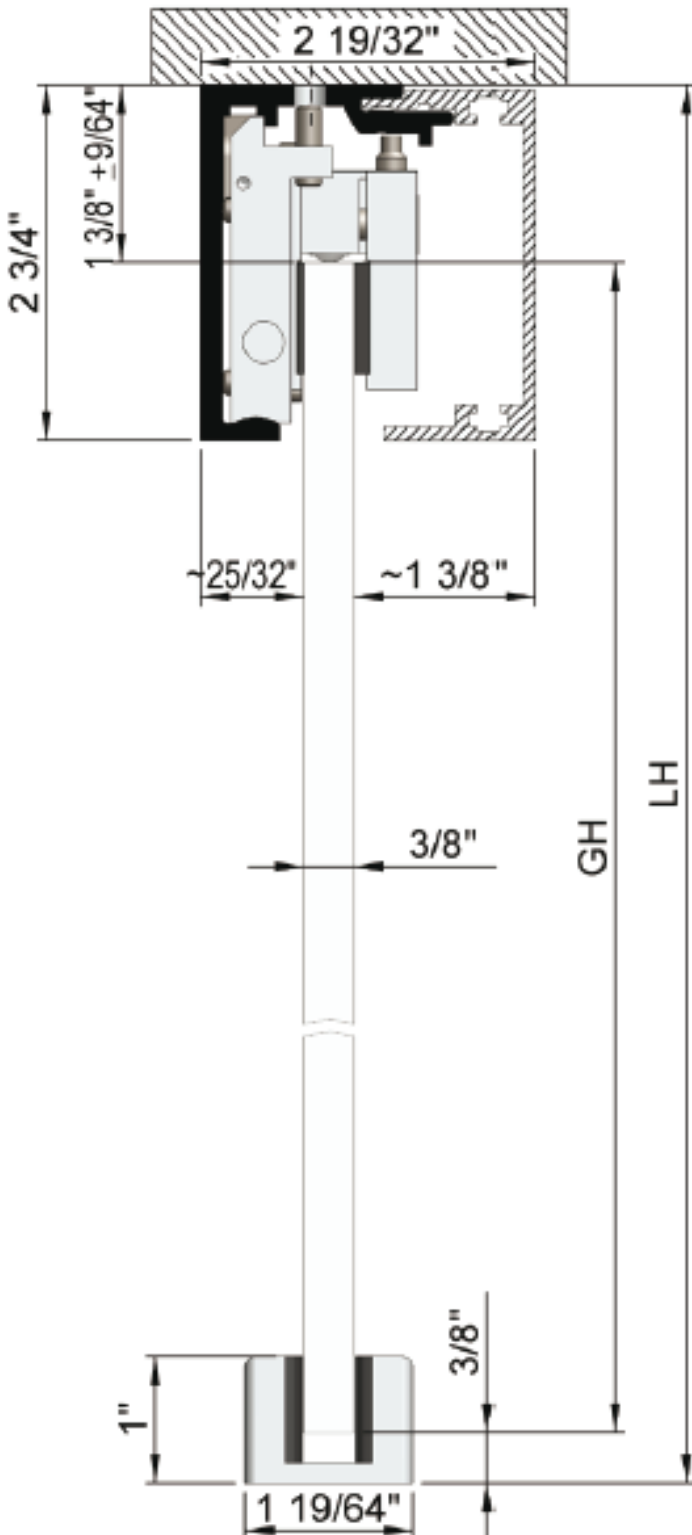
HARDWARE - TOOLS - SUPPLIES

ITEM: 19-403AL

18139 - 107 Avenue  
Edmonton, Alberta T5S 1K4  
Canada

Phone Toll-Free: (800) 661-9951  
Fax Toll-Free: (877) 484-1209

## 19-403AL - Optima 150 - Glass Door Ceiling Mount Single Sliding System (Aluminum)



**Mounting:** Ceiling mounting. Version single door.

**Door weight max.** 330 lbs.

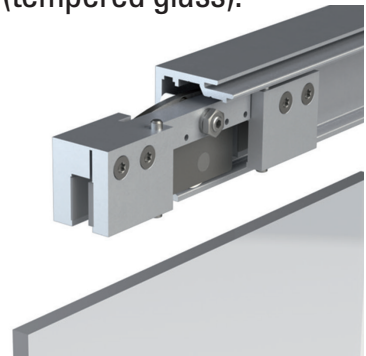
**Glass thickness laminated safety glass:** 5/16 - 1/2" (tempered glass).

**Glass thickness:** 5/16 - 1/2" (tempered glass).

**Material:** Aluminum.

Kit includes:

- 2 Roller units incl. clamps
- 2 Stoppers
- 1 Running track, wall mounting incl. cover
- 1 bottom guide



### Available Separate

19-402-CAP - Optima 150 - Glass Door Removable Cover Caps



19-402-CLOSE - Optima 150 - Glass Door Smart Stop Damping System

