



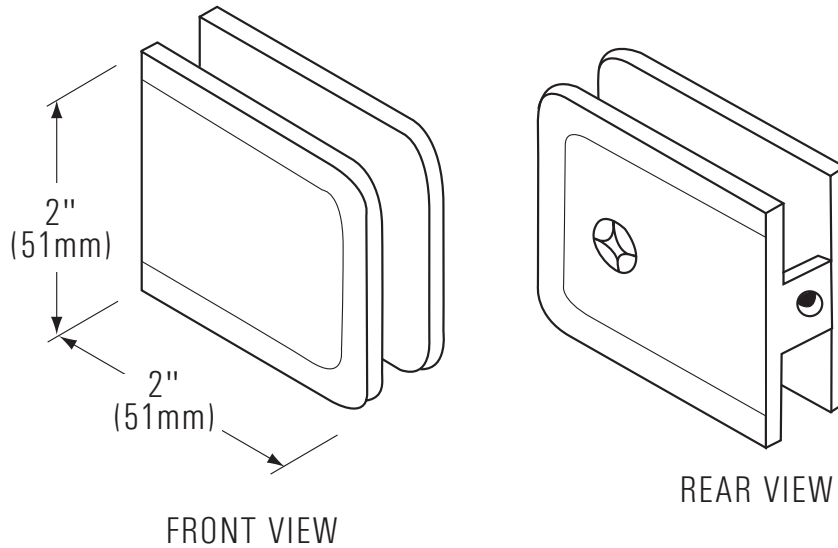
ALL GLASS PARTS INC

HARDWARE - TOOLS - SUPPLIES

HEAVY DUTY GLASS CLAMPS

Fixed Panel Round
U-Clamp

<http://www.allglassparts.com>

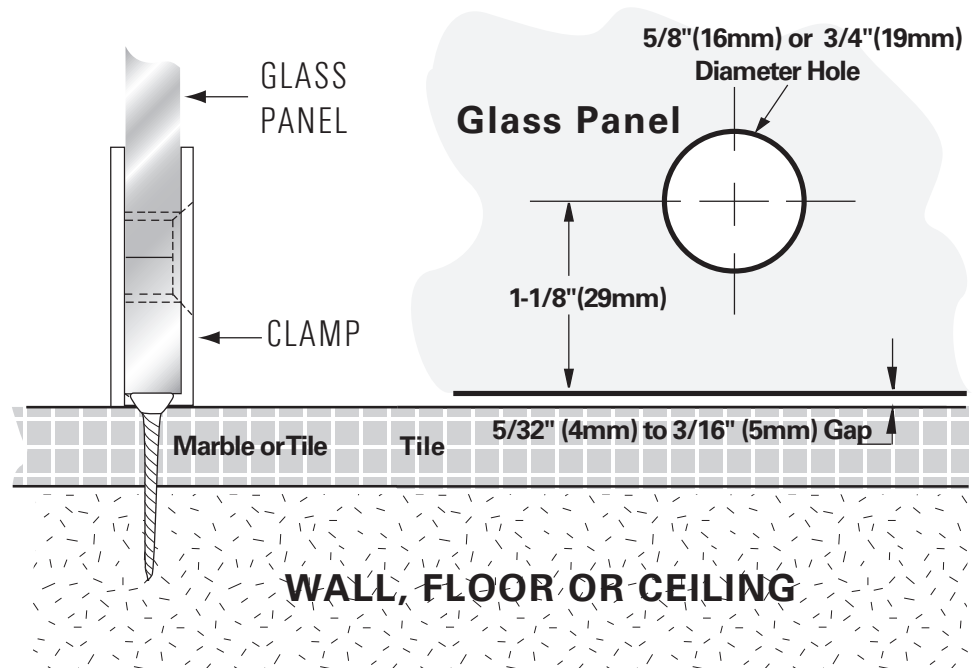


IMPORTANT: Project measurements from the edge of the glass.

SPECIFICATIONS:

- Material: Solid Brass
Glass Thickness Range: 3/8" (10mm) to 1/2" (12mm)
Hole Size Required: 5/8" (16mm) or 3/4" (19mm)
Includes: Mounting screws and gaskets

Template TYPICAL INSTALLATION



Always use dimensions
to ensure accuracy.

*NOTE: Do not exceed either maximum weight or width when choosing proper quantity of hinges.