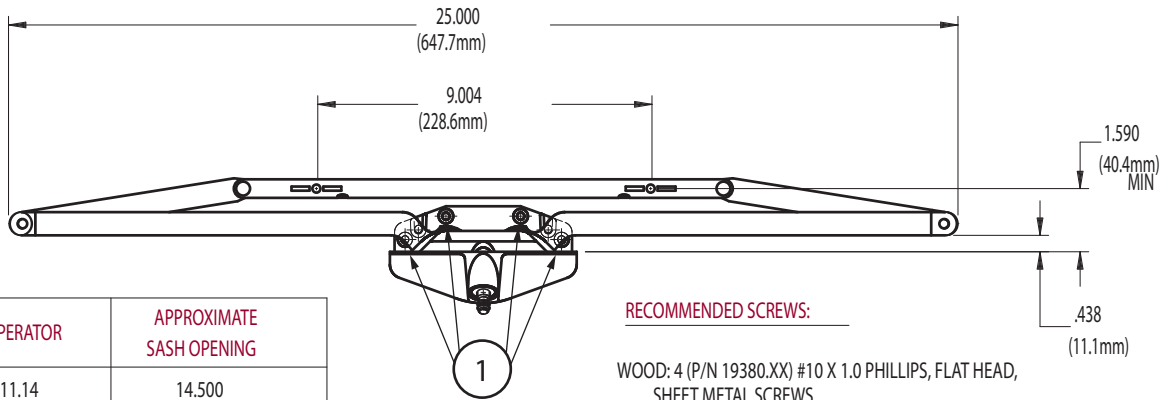


# Awning Window Operator (Truth Hardware 11.14) (25 1/2" Dual Pull)



OPERATOR	APPROXIMATE SASH OPENING
11.14	14.500 (368.3mm)

NOTE:  
1. MOUNTING HOLE

**RECOMMENDED SCREWS:**

WOOD: 4 (P/N 19380.XX) #10 X 1.0 PHILLIPS, FLAT HEAD, SHEET METAL SCREWS

PVC & METAL: 4 - #10 PHILLIPS, FLAT HEAD SCREWS (LENGTH AND THREAD TYPE DETERMINED BY PROFILE)

SKU	COLOR
6-1379	Brown
6-1379W	White
6-1379C	Coppertone
6-1379AL	Aluminum
6-1379BL	Black
6-1379BW	Bright White

Note: Technical drawing "For Information Purpose Only" (FIO).